

RESTRAP

TECHNICAL BIKEPACKING GEAR

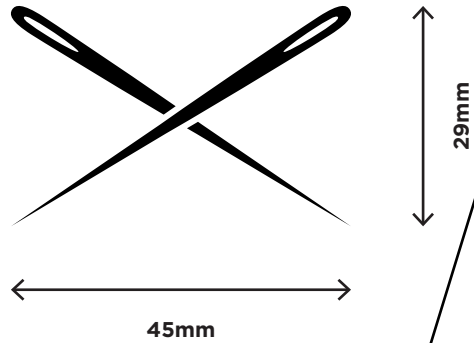
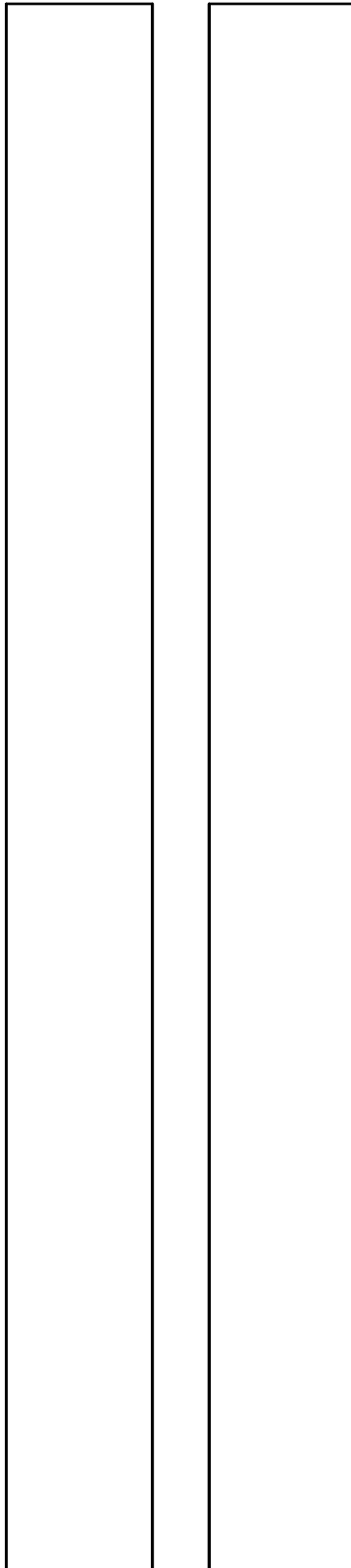


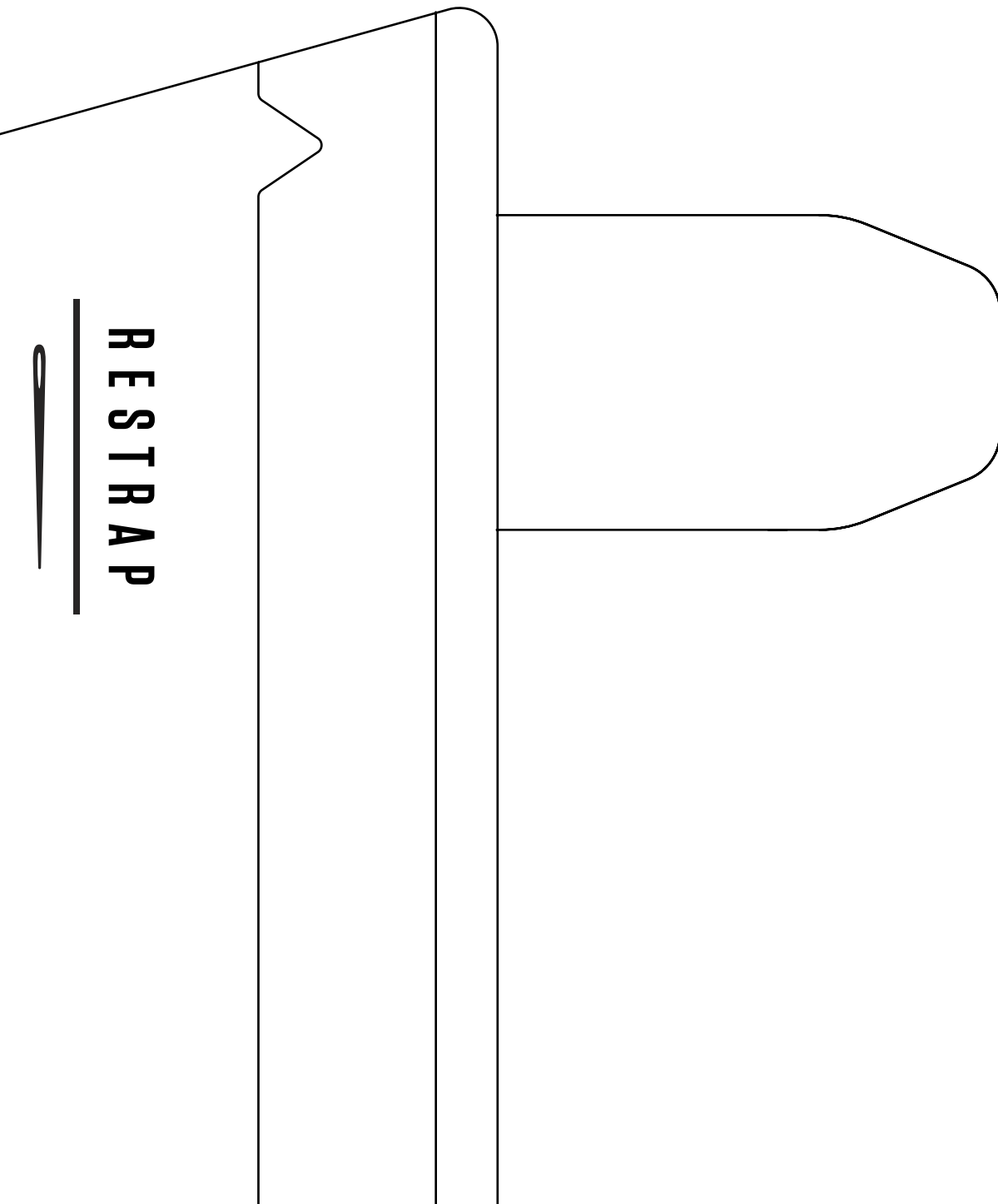
• Print this document on US Letter paper (8.5x11in) making sure that it is at 100% scale.

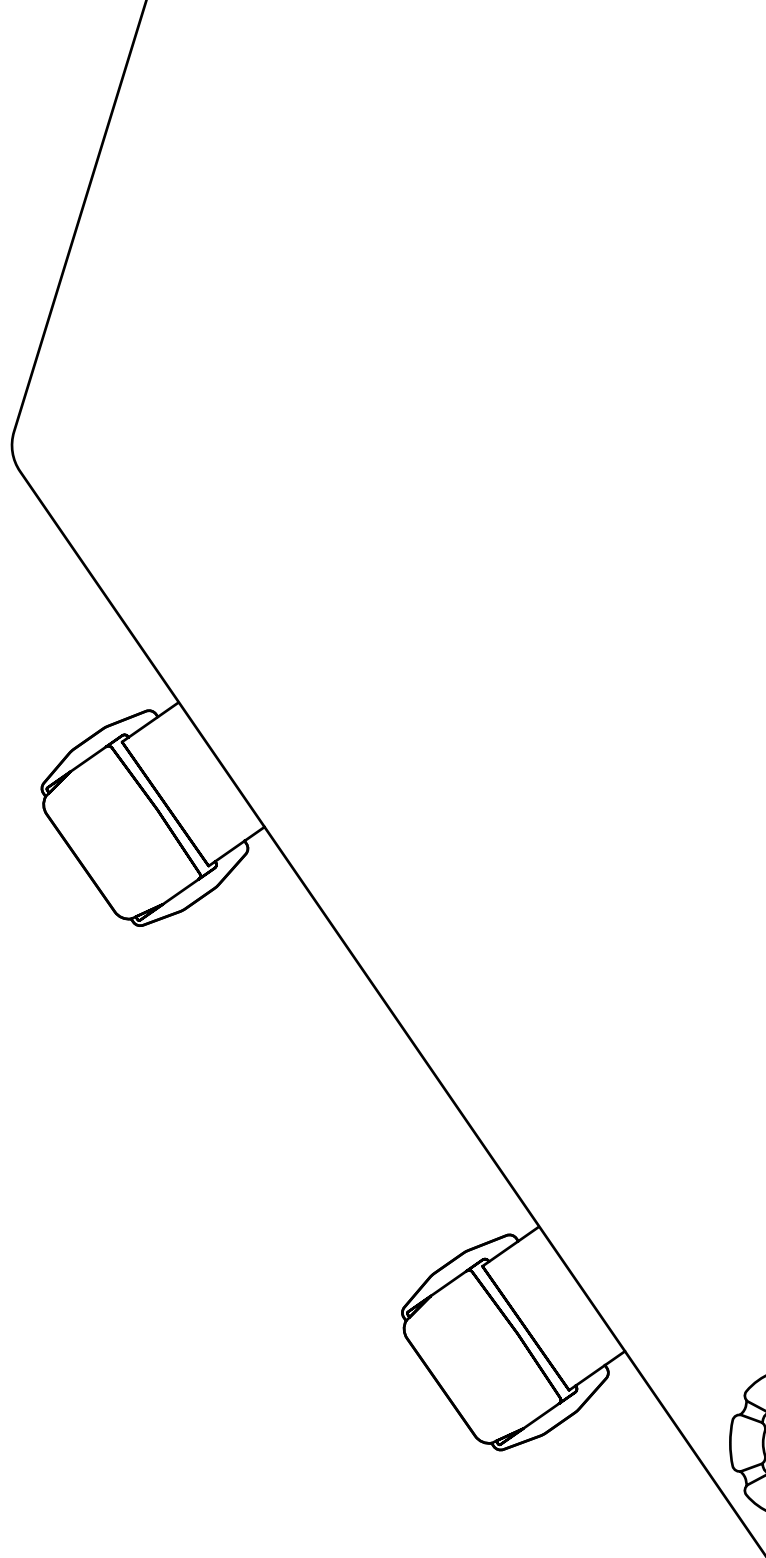
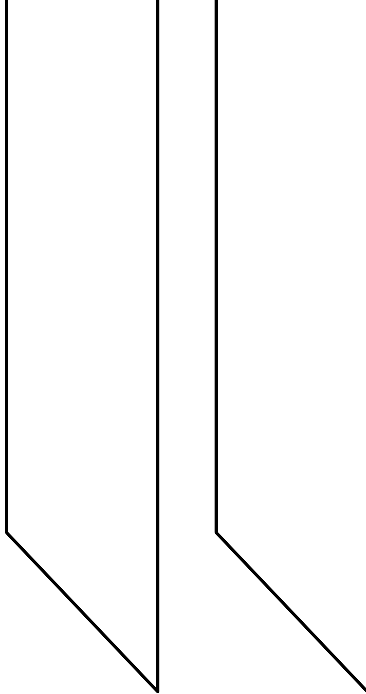
• Measure both sides of the crossed needles to verify the scale is accurate.

• Assemble the prints according to the numbered guide on each sheet, ensuring the registration marks lay on top of each other.

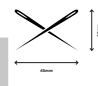
• Tape the sheets together, then cut along the bag's outline for a physical representation of our bag's shape and size.







NUMBER GUIDE

<p>RESTRAP RACE FRAME BAG - SMALL</p> <h2>RESTRAP</h2> <p>TECHNICAL BIKERACING GEAR</p> <p>Place the flap on top of all straps (200x200mm) making sure that it is at 90° angle.</p> <p>Place the flap on top of the second strap (100x100mm) and make it visible.</p> <p>Assemble the strap according to the diagram and make sure that the flap is at 90° angle.</p> <p>Check the flap length (100mm) and adjust the flap if necessary.</p> 	<p>RESTRAP RACE FRAME BAG - SMALL</p> 